

English

1101 948

2015 03 31

RESERVDELAR SPARE PARTS

5212170 GV 12-78/30
Valid from s/n 0900891

Pos	Detalj nr	Ant	Benämning	Description	Anm	Atdragm mom
Fig	Part no	Qty			Notes	Torque
	5212 170		Rotator GV 12 -78/30	Rotator GV 12 -78/30		
1	5011 013R	1	Stator övre	Stator plate, upper	Incl pos 2	
2	5001 381	1	Propp	Plug	G1/8	17 Nm
3	5011 006R	1	Nippelskydd	Hose guard		
4	1016 203	2	Skruv	Screw	M12x50	
5	1017 326	2	Bricka	Washer		
6	5212 172	1	Tätningssats	Seal kit	GV12-78	
7	1005 545	2	Kula	Ball		
8	1020 536	1	Fjäder	Spring		
9	5112 169R	1	Rotor	Rotator shaft	Incl pos 12,13	
10	5011 160	4	Vinge	Vane		
11	5006 030	12	Fjäder	Spring		
12	1005 453	2	Glidlager	Bushing	30/34-30	
13	1001 825	1	Smörjnippel	Grease nipple		
14	1019 900	2	Cylindrisk pinne	Pin	8x20	
15	5112 023R	1	Statorring	Stator frame		
16	5011 105	2	Kägla	Restrictor		
17	5112 022	1	Axiallagersats	Axial bearing kit		
18	5010 081	1	Shimssats	Shim, set		
	1016 658	1	Shims	Shim	0,100 mm	
	1017 029	1	Shims	Shim	0,125 mm	
	1016 641	1	Shims	Shim	0,150 mm	
	1017 425	1	Shims	Shim	0,178 mm	
19	5212 020R	1	Stator undre	Stator plate, lower	Incl. pos 20, 21	
20	1025 709	1	Magnetplugg	Magnetic plug	G1/4	20 Nm
21	1019 116	1	Tätning gummistålbricka	Bonded seal	G1/4	
22	1002 120	10	Skruv	Screw	M12x130	120 Nm

English

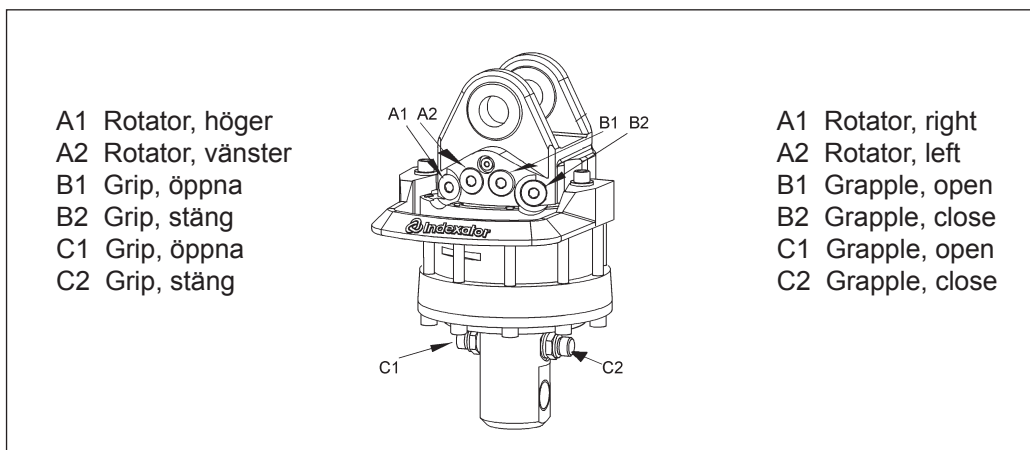
1101 948

2015 03 31

ADAPTERSATS ADAPTERSET

5212170 GV 12-78/30
Valid from s/n 0900891

Pos	Detalj nr	Ant	Benämning	Description
Fig	Part no	Qty		
	5112 171		Adaptersats GV/G G1/2	Adapterset GV/G G1/2
A, B	1073 444	4	Adapter G1/2xG1/2	Adapter G1/2xG1/2
C	1073 444	2	Adapter G1/2xG1/2	Adapter G1/2xG1/2



English

1101 948

2015 03 31